

visit us at :



# MEET

## ENGINEERING & FABRICATORS

**AN ISO 9001 : 2015  
CERTIFIED COMPANY**



Automation System for  
Rolling Shutters, Sliding Gates,  
Swing Gates, Sliding Doors,  
Road Barriers and Garage Door.

**Authorized distributor & Supplier for :**

**Ditec**  
OPEN YOUR WORLD



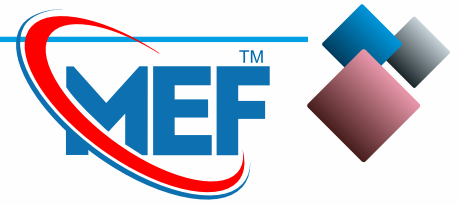
Rolling Shutter Motor in India.

**Sole Distributor in India for :**





# Product Gallery



### G.I. Perforated Strip Rolling Shutter :



Perforated Rolling Shutter is installed to provide vision at night.

### Rolling Grill Shutter :



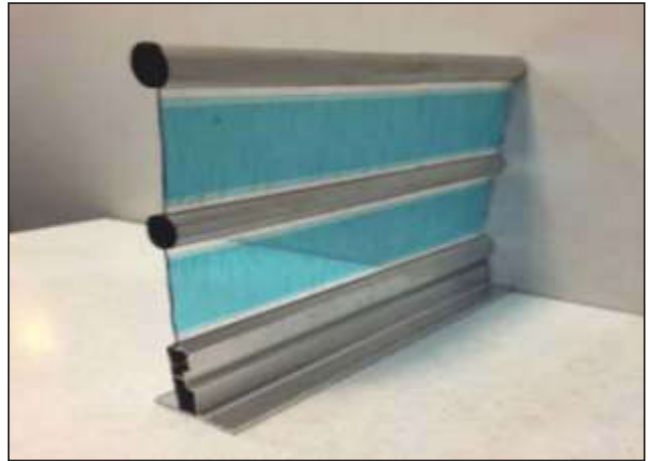
Rolling grills are provided where Visibility, Ventilation and light is required with security. It can be made into rectangle or honeycomb type pattern. Grills are normally used in Malls, Balcony etc., for having vision with safety.

### Polycarbonate Strip Rolling Shutter (Transparent):



Polycarbonate (Transparent) Strips Shutters are provided where transparency or vision is required, at the same time security is the primary anxiety. With Interlocked high impact polycarbonate molded lenses combined with aluminum section makes polycarbonate shutter thief proof.

### Single Piece Polycarbonate Rolling Shutter (Transparent) :



### Puff Insulated Strip Rolling Shutter :





For special application where cool temperature, noiseless and dust free environment is required, there we have PUF Insulated Double Wall Aluminum Strips Shutters.





In association with Italian Multinationals having vast experience in manufacturing with pioneering and ingenious engineering in Automation Systems for more than three decades.

## **Customer Satisfaction with Safety, Reliability and Maintenance free Quality Products.**

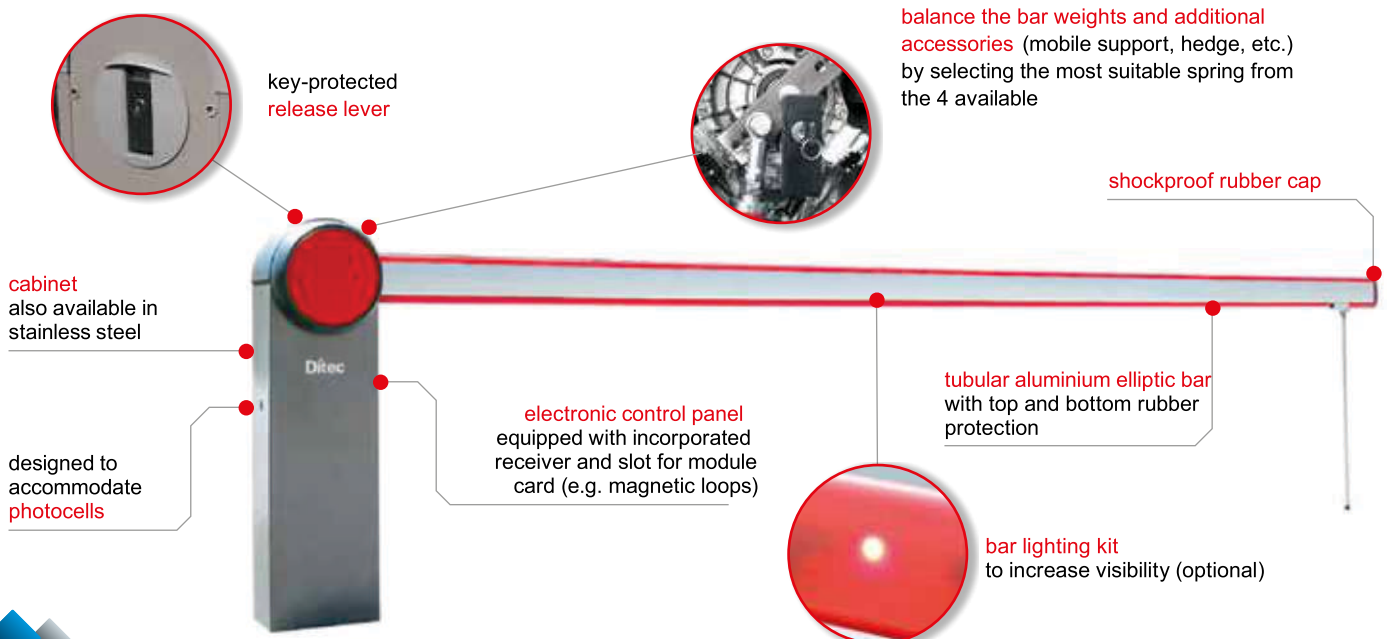
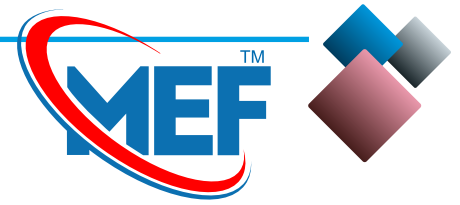
Meet Engineering & Fabricators is Authorized Distributor of  &  Rolling Shutter Motor in India.

**Meet Engineering & Fabricators** are Manufacturer of Rolling Shutters, Sliding / Swing Gates and Industrial Sliding Doors In last 40 years. **MEET Engineering & Fabricator** take the opportunity to represent as the Maximum Range Holder of Rolling Shutters in India with various types of Rolling Shutters required as per site condition. Since 2004 we are Importing, Distributing / Supplying and Installing of Italian make Entrance Automation System in India. Also we have Safety Lock for Rolling Shutter which are theft proof and start alarm if somebody try to open if forcefully. We constantly on the move with the experience of 40 years in the Residential, Commercial and Industrial Fabrication Work and 18 years in Importing, Distributing, supplying and installing Entrance Automation System. With second generation in the same profession having immense experience, our aim is to provide customer satisfaction with latest trend and technique in our products which are highly safe, reliable, maintenance free and easy to operate with exceptional price. Our team of dedicated and hardworking skilled workers, engineers and technicians make sure awless installation and trouble free commissioning of products according to site conditions declaring product consistency and life span.



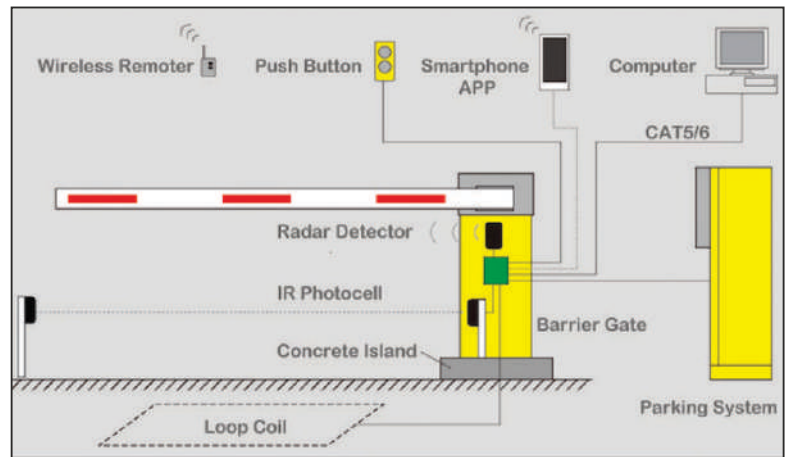


# BOOM BARRIER



## AUTOMATIC BOOM BARRIERS :

### Automatic Swing Gates (Italian Operator) :



### Automatic Boom Barriers :

- ◆ Automatic Boom Barrier are used where there is frequent movement of vehicle is there example factory entrance, mall entrance, commercial building and society entrance etc.
- ◆ Barrier is used for restricting unauthorized vehicle entering into your premises. They are available in wide range of model starting from 3.0 meter to 6.0 meter. It can be operated manually in case of power failure and battery backup competence in preferred model.
- ◆ Automation is suitable for installation in all environments & its robust framework gives maximum protection against the elements & weather condition.
- ◆ The incorporated electronic programmer comes complete with boom deceleration at the end of the opening & closing movement, an anti-crush systems & speed regulations.
- ◆ Highly Compact in size has an extreme Silent operation. Low maintenance required.
- ◆ LED Light in the Boom with Rubber Safety Edge. Slowdown Function when closing and opening of Boom.
- ◆ Wide range of Model with adjustable speed for various applications like toll plaza, Theater, Shopping Mall, Car Parking & Hospital Etc.
- ◆ Detection of Obstacle and Reopening with Automatic Device.
- ◆ Opening & Closing Speed 10 Seconds for 90 Degree. Protection Rating IP 54.

### Automatic Boom Barriers :

- ◆ Irreversible, Intensive Use.
- ◆ Powder Coated Steel Structure
- ◆ Engine Housing In Cast Aluminum With Steel And Cast Iron Gears
- ◆ High Performance Electric Motor
- ◆ Lithium Grease Lubrication Of Mechanical Parts
- ◆ Micro-switches In Opening And Closure & Balance With Spring
- ◆ Round Arm Standers- Rectangular Arm Optional
- ◆ Handle Emergency Release For 230 V - Mechanical Release With Key For 24 V
- ◆ Max Length Arm 6 M - Led Optional
- ◆ Easy Programming Software
- ◆ Control Unit With Receiver And Built-In Aerial
- ◆ Anti-Squashing System And Slowing Down Function (En12453)
- ◆ Electronic Torque Control
- ◆ Operating Time 5 To 7 Seconds for 90 Degree.

# High Speed Doors



## FOOD INDUSTRIES

- Specially designed fabric door for indoor applications requiring high frequency of operations.
  - High speed doors are CE certified
  - Special EPDM seal between lateral parts and curtains, providing complete sealing & prevention against dust & air contamination.
  - Fabric RAL colours available to match the building aesthetics
  - Tailor made fabric justifying the industrial requirements
  - European make motor & controller suitable for high speed doors
  - Electromagnetic brake device to ensure that the door does not free-fall in any worst conditions
- Various accessories available as per application



## PHARMA & CLEAN ROOM

- Clean Room High Speed Doors are designed for internal applications and protects your internal environment against draughts, humidity, dust and dirt.
- Operating speed and superior sealing properties improve traffic flow and provide the required environmental control thus saving on energy costs.
- The doors operate on the concept of low air permeability in pressurized rooms with positive and negative air pressure.
- High door efficiency & low permeability values range 3.2 as EN 12426 EN 12427 :  $< 12m^3/m^2h \Delta 50 PA$ .
- High leak tightness is due to curtain being tightly integrated in special finish side guides.
- Bottom safety edges and inbuilt photo cells combine to ensure operator safety at all times.
- Heavy duty motor : 230V / 415 three phase, opening speed upto 2.0 m/s with inverter system.



## COLD ROOM

**Stiffener-Free Design:** The high-speed roll-up door features a stiffener-free flexible door design that is lightweight yet robust. This design provides excellent durability and resistance to wear and tear, making it suitable for use in high-traffic areas.

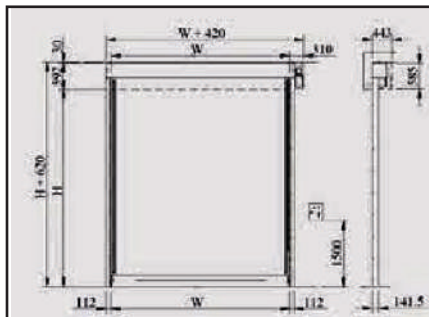
**Fabric RAL Colors:** The doors come in a range of RAL colors, which means that you can choose a color that matches the internal building aesthetics. This feature allows you to customize the door's appearance to fit the surrounding environment.

**European Jolt-Free Drives:** The high-speed roll-up door features European jolt-free drives, which provide smooth and efficient operation. These drives are also known for their reliability and durability, ensuring that the door functions properly for years to come.

**Various Accessories :** The high-speed roll-up door comes with various accessories that can be added as per the application. These accessories include sensors, safety devices, and remote control systems, which can enhance the door's safety and convenience.



# HIGH SPEED DOORS



Technical Specification	Description
Product	High Speed Doors – Roll Up
Doors Dimension	
Width Min. /Max.	1000/6000mm
Height Min. /Max.	1000/6000mm
Larger Dimension on request	
Opening Direction	Vertical
Mounting Location	Inside/Outside
Opening/Closing Speed	0.8 m/sec to 1.5m/sec with VFD
Doors Structure	
Door Curtain	Self extinguishing PVC Fabric-European Make.
Fabric standard complies with (DIN) EN 12641-2.	
European PVC fabric complying to EN12641-2 & having following properties :	
High tensile & tear strength	
Mould & pest repellent	
UV resistant & weatherproof	
Outstanding isolating capabilities	
Temperature resistant & easy to clean	
Fabric thickness available in 900GSM & 1700GSM	
Curtain Color	Standard: RAL 5010(Blue); RAL 3002 (Red); RAL 7042 (Grey); RAL 2004 (Orange); RAL 5012 (Light Blue); RAL 1021 (Yellow)
Optional: Any other color on request.	
Stiffeners	Modular section inserted at specific intervals as per opening dimensions
Side Guides	Self supporting Aluminium detachable profile sections
Finish : Powder Coated off white	
Box type guides with wind hooks as optional to carry higher wind velocity	
Bottom Profile	Aluminium profile
Finish : Powder Coated off white	
Roller Shaft	Al shaft assembly upto 4 m above 4 m MS shaft assembly.
Hood Cover (Optional)	Made of G.I sheet with off white powder coating
Details for Automation System	
Control Type	Advance control equipped to integrate all safety & operating accessories.
Easy to interface	
End position adjustments done with three different limit switches	
Control panel comes with Variable Frequency Converter for, speed adjustment, self lock functions & door operation counters	
Drive Unit	European make compact plug in actuator designed with inbuilt safety catch device & Thermal protection in winding prevents it from getting overheated
Available in Single Phase/Three Phase	
Emergency Operation	Manual Hand crank
Operation Switch	Single push button at motor mounting side
Door Interlocking	Interlocking between doors as option

## FEATURES

- Specially designed fabric door for indoor applications requiring high frequency of operations.
- High speed doors are CE certified
- Special EPDM seal between lateral parts and curtains, providing complete sealing & prevention against dust & air contamination.
- Speed adjustment ranging from 0.8m/sec to 1.5m/sec via variable frequency converter which also helps in soft starting & soft stopping of the door.
- Fabric RAL colours available to match the building aesthetics
- Newly designed types of side guides incorporating wind hooks to hold higher wind velocity
- Tailor made fabric justifying the industrial requirements.
- European make motor & controller suitable for high speed doors Our Drives are inbuilt with Special Anti Drop Electromagnetic brake device to ensure that the door does not free-fall in any worst conditions.
- Various accessories available as per application

# FIRE RATED DOORS

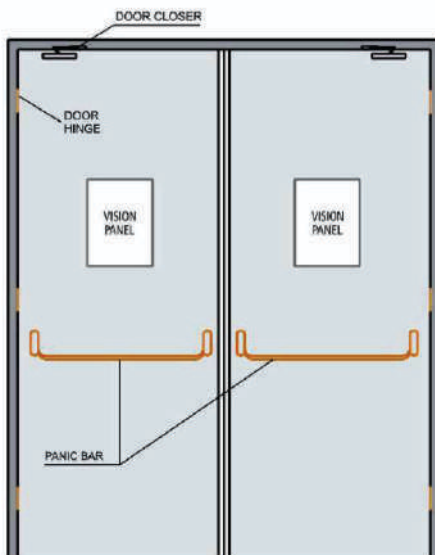
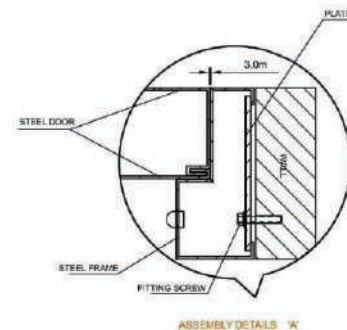
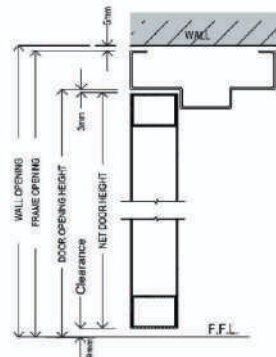
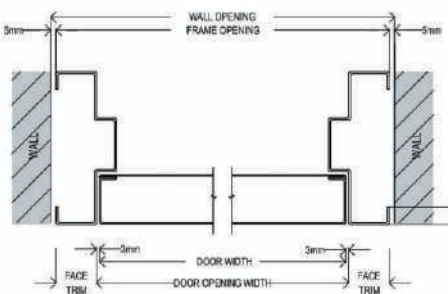


### Fire Door Specification

Door Frame	1.2 / 1.6 / 2.0 mm GI sheet
Door Leaf	0.8 / 1.0 / 1.2 / 1.6 mm GI Sheet
Door Thickness	42 mm
Infill	Honeycomb / Rockwool (96kg / m3)
Vision Panel	Fire Rated Glass

### Accessories

Emergency Exit	Panic Bar
Standard	Mortise Dead Lock
Hinges	SS But Hinges
Door Closer	Heavy Duty fire rated
Finish	Powder Coated



### Door Frames

Material of Door Frames	Galvanized Steel / Stainless Steel
Sheet Thickness (Gauge)	14 / 16 / 18 / 20.
Standard Frame Size	100mm X 57mm & 100mm X 70 mm
For Single rebate Frame	143mm X 57 mm
Standard Frame Size For double rebate Frame	Metered - Butted - Welded.
Frame Assembly	2100mm / 2200mm / 2400mm
Standard Heights in mm. (Wall Opening)	2700mm / 3000mm





## ELECTRIC DOCK LEVELER

**Model: EDL-60 | EDL-100 | EDL-150**  
**Capacity: 6000 | 10000 | 15000 Kgs.**



“Meet” Electric Dock Levelers are available in 3 different models, it is an adjustable ramp which compensates the difference in height- The lip is specially designed with tapered tip for easy movement of the material handling equipment and it bridges the gap between the dock leveler installed in the factory/warehouses and the bed of transport vehicle for easy movement of material handling equipment.

EDL is designed & constructed as per standards to suit the requirement of safety and maintenance free operations, it is operated through electric control panel with ease of single push button operation, along with emergency stop switch with key and LED buzzer for operation alert and heavy duty power pack.

### Technical Specification :

Deck(LxW) (mm)	Lip(Lx W) (mm)	Length with Lip Extension (mm)	Raised Ht. (h1) (mm)	Lowered Ht. (h2) (mm)	Frame Ht. (h3) (mm)	Stactic Capacity (Kgs. UDL)
2100x1850	500x1850	2600	600	300	600	6000   10000   15000
2100x2000	500x2000	2600	600	300	600	6000   10000   15000
2750 x 2150	500x2150	2600	600	300	600	6000   10000   15000

#### A. C. Power Pack Unit:

- ◆ Motor: 1.5 H. P. 3 Phase 415 volts.
- ◆ Hy. Pump & Valves : Modular type of reputed brand.
- ◆ Hydraulic cylinder with hard chrome piston rod.
- ◆ Control Panel : Wall mounted with single push button operation for deck & lip
- ◆ Paint finish : Melon Yellow & Grey shade



## **AUTOMATIC / MOTORIZED ROLLING SHUTTERS:**

### **Different types of Rolling Shutters :**

- ◆ G.I. Plain Strip Rolling Shutter.
- ◆ G.I. Perforated Strip Rolling Shutter.
- ◆ Rolling Grill Shutter.
- ◆ Polycarbonate Strip Rolling Shutter (Transparent).
- ◆ Single Piece Polycarbonate Rolling Shutter (Transparent).
- ◆ Puff Insulated Strip Rolling Shutter.

Leading Manufacturer of Rolling Shutter, we at MEET Engineering & Fabricator offers Rolling Shutters with various materials such as G.I., Galvanium, Aluminum, S.S. Strips and Polycarbonate (Transparent) Strips for basic installation.

Different types of Rolling Shutters are available depending upon the site condition, applications and requirement of the customers.

Shutter can be modified to outfit any type of requirement were wind pressure and climatic condition is the main concern. Free fall of the shutter is avoided with drive inbuilt with special anti-drop electromagnetic brake.

Rolling Shutter can be operated with Push Button Switch or Remote Control. Rolling Shutter manufactured by us is as per Indian Standard Guidelines.

device and additional Oversized Dimension Shutters are made with specially designed Strips by us to avoid bending of shaft from the center part of shutter shaft. Also it can resist wind pressure up to certain level.

### **G.I. Plain Strip Rolling Shutter :**



G.I. Plain Strip Rolling Shutter is the most commonly used shutters in Commercial, Industrial and Residential Sector.

G.I., Galvanium, S.S., Strips Rolling Shutter is the most cost effective solution for any kind of application and prevents the shutters from rusting also helps to provide them a long life with safety, security and durability. They are ideal where security is primary concern. It is commonly used in all sectors i.e. Residential, Commercial and Industrial Sector. Standard Rolling Shutter is manufactured from 19 Gauge G.I., Strips. Rolling Shutter can be integrated with Grills or Perforated Strips at eye level for ventilation or see through purpose.



## **AUTOMATIC GARAGE DOORS :**



### **Garage Doors :**

Garage Door is provided to give aesthetic look to Bungalow, Villas and Commercial Building with safety. Garage Door opens vertically and slides on the ceiling when it is operated.

Garage Door is made with PUF Insulated Panel of 40 mm thick which can maintain the temperature and sound level inside the premises.

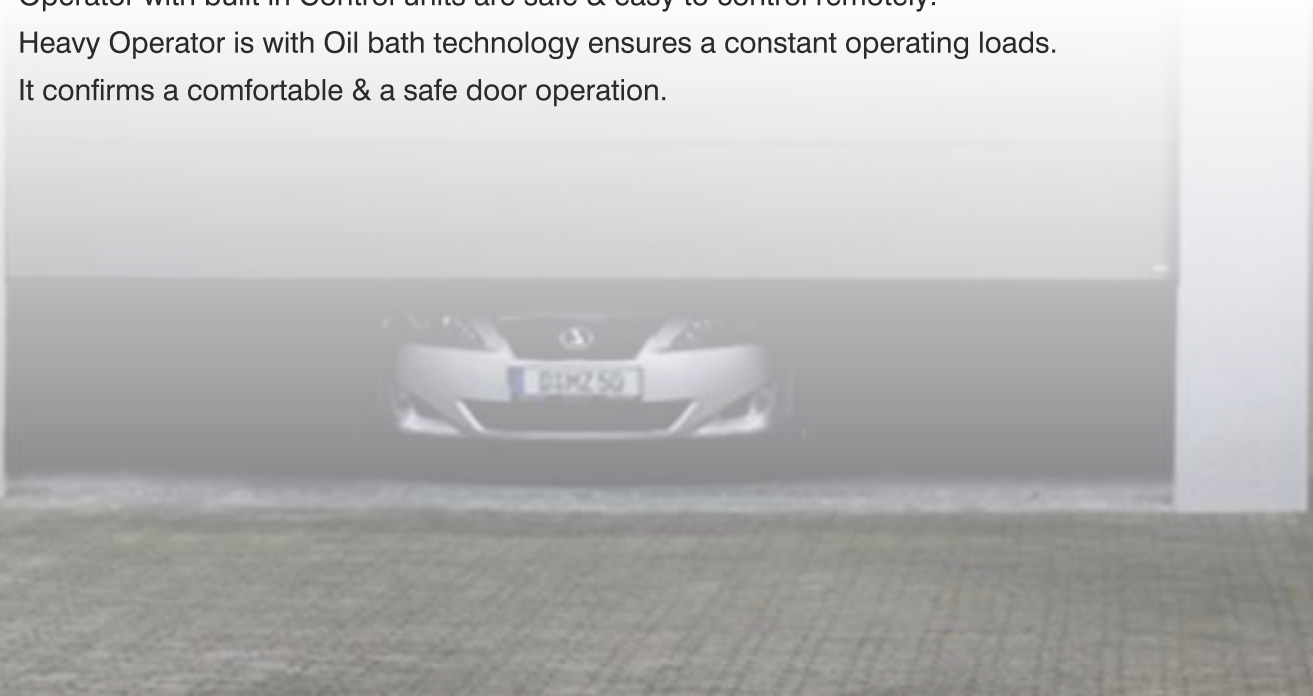
Insulated Panel is made with Pre-coated Double Wall M.S. Sheet of 0.5 mm thick with PUF Insulation.

Vision panel are provided which let natural light to enter into garage. It is made with scratch proof Polycarbonate material.

Garage door can be made as per the dimensions available at site.

### **Automation System :**

- ◆ Different Operators are available for the Garage Door for almost any sizes.
- ◆ Operator can be easily fitted on the Guide and mounted on the Ceiling.
- ◆ Smooth Start & Stop function ensure a longer working life.
- ◆ Operator with built in Control units are safe & easy to control remotely.
- ◆ Heavy Operator is with Oil bath technology ensures a constant operating loads.
- ◆ It confirms a comfortable & a safe door operation.





## AUTOMATIC / MOTORIZED SLIDING GATES:

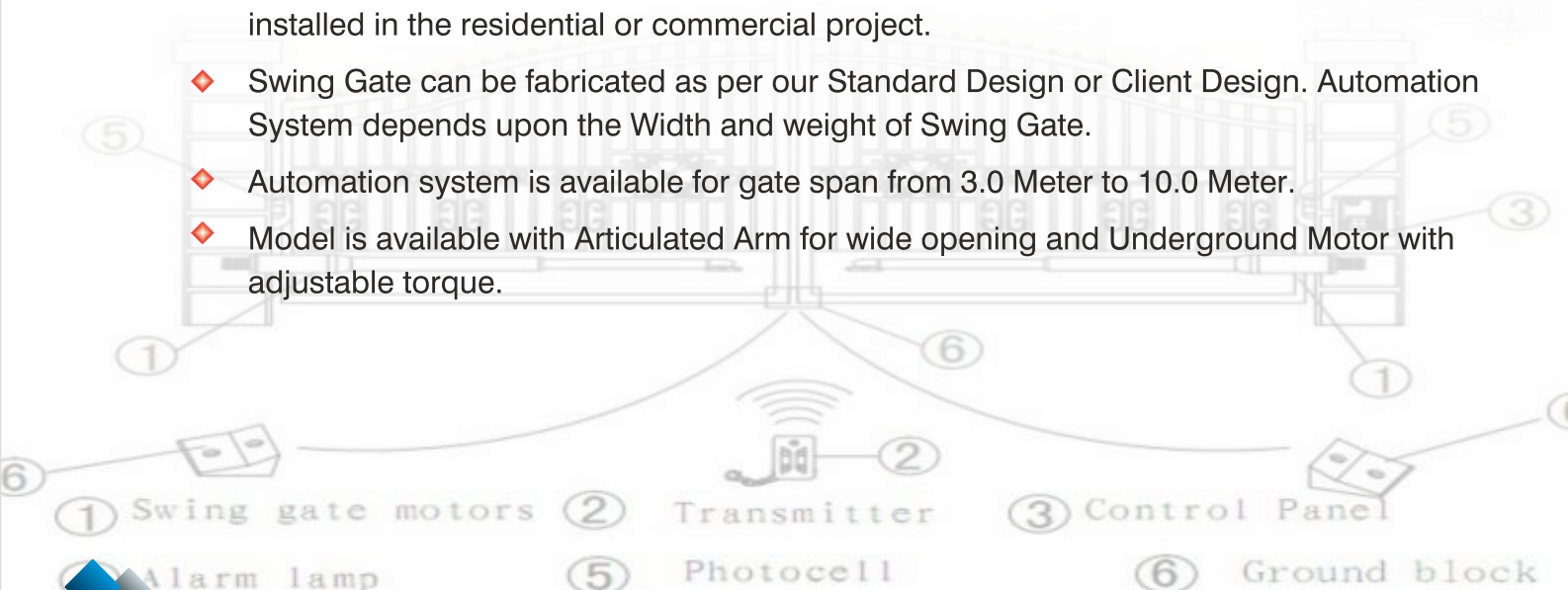
### Automatic Swing Gates (Italian Operator) :



### Automatic Swing Gates (Chinese Operator) :



- ◆ Ideal alternative where Sliding Space is not available for gate, there Swing Gates are applicable.
- ◆ Creatively fabricated Swing Gates are made with Square or Rectangle Pipe mostly installed in the residential or commercial project.
- ◆ Swing Gate can be fabricated as per our Standard Design or Client Design. Automation System depends upon the Width and weight of Swing Gate.
- ◆ Automation system is available for gate span from 3.0 Meter to 10.0 Meter.
- ◆ Model is available with Articulated Arm for wide opening and Underground Motor with adjustable torque.





## AUTOMATIC SLIDING DOORS :

### Automatic Commercial & Residential Sliding Door :



### Automatic Industrial Sliding Door :



### Automatic Sliding Doors :

- ◆ Shopping Centers / Shops / Amusement parks / Exhibition.
- ◆ Public & private offices / Residential buildings.
- ◆ Sports facilities / Shopping Mall, Hotels & Restaurants.
- ◆ Airports / Railway stations / Transports / Hospitals / Nursing & rest homes / Health care facilities.

Thanks to the many possibilities of customization, each door will have a touch of elegance but above all it will be perceived by the user the feeling of fluidity and harmony of movement, of openings and closures always perfect and quiet that our doors are able to offer. The complete range of products includes automatic sliding and swing doors designed also for the all sector, for environments that must meet fire certifications and in all cases where high safety standards are required.

- ◆ Sliding Pedestrian Door Automation is available in Single Leaf, Double Leaf and Telescopic Leaf.
- ◆ Clear Opening up to 4.0 Meter models are available, capable for door weight starting from 130 Kg for Single Leaf and 90 Kg for Double Leaf.
- ◆ Pause Time – Maximum 20 Seconds
- ◆ Temperature: -20 Degree to + 50 Degree
- ◆ Opening Speed 0.7 Meter/Second (1 Leaf) / Closing Speed 0.6 Meter/Second (1 Leaf)
- ◆ Built in with encoder and traction by means of synthetic tooth belt ensures silent operations
- ◆ Sliding Door can be operated through various accessories like microwave sensor, infrared, pneumatic push button etc.
- ◆ Microprocessor based control unit provides a wide range of function like manual – automatic, one – two, total – partial opening and night mode.
- ◆ Additional Safety accessories like electromechanical lock, photocell for safety and anti-panic system are available.



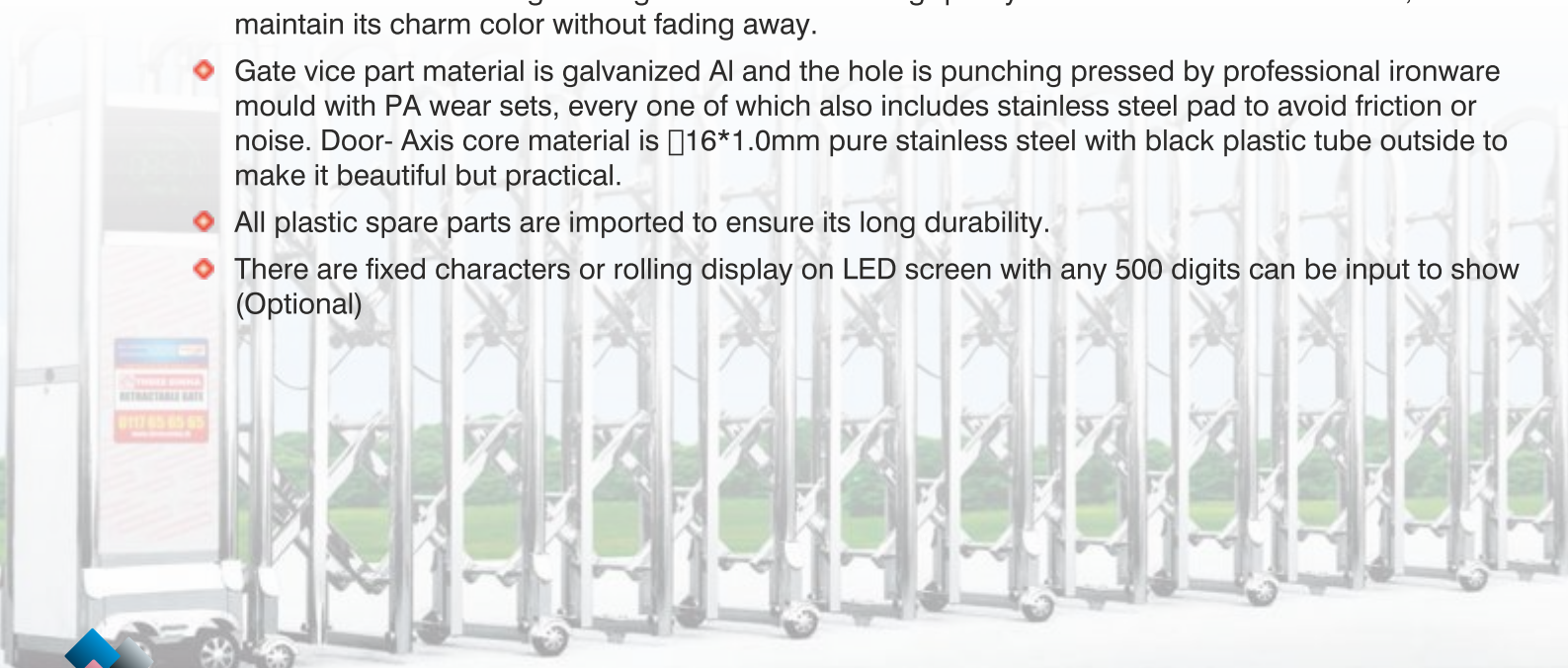


## RETRACTABLE GATES :



### Retractable Gates:

- ◆ Motor Overheating Protection: The motor will automatically power off and enter protection status when the temperature reaches some degree and it will work normally again after the temperature turn low.
- ◆ Speed Clutch: When the power cut off, only use the key rotating 180 degree then the clutch will keep apart, and now the gate can be manually opened.
- ◆ Infrared Anti-Collision Device: If there is pedestrian or vehicle during closing process, the gate will automatically stop 30 or 40cm away to avoid collision.
- ◆ Anti-Climb Alarm: If there is anyone climbing over it, it will alarm automatically. (Optional)
- ◆ Remote Control; Easy operation of opening gate and distance is less than 50m.
- ◆ Drive and Driven Wheel: With die-casting Al-alloy material for drive and driven wheel and imported rubber to make the system of wear resistance, noise free and long service life.
- ◆ Machine Head: The professional motor of electric retractable gate and thickening base board increase its weight and traction. The four wheel drive and chain driven make the system buffering and smooth start and stop. The head is also double sealed in whole to prevent dust and humidity to prolong its life.
- ◆ Gate material is with high strength to assure of strong quality in hardness and anti-collision, also to maintain its charm color without fading away.
- ◆ Gate vice part material is galvanized Al and the hole is punching pressed by professional ironware mould with PA wear sets, every one of which also includes stainless steel pad to avoid friction or noise. Door- Axis core material is  $\square 16 \times 1.0\text{mm}$  pure stainless steel with black plastic tube outside to make it beautiful but practical.
- ◆ All plastic spare parts are imported to ensure its long durability.
- ◆ There are fixed characters or rolling display on LED screen with any 500 digits can be input to show (Optional)





## AUTOMATIC / MOTORIZED SLIDING GATES:

### Automatic Sliding Gate :



### Automatic Telescopic Sliding Gate:



- ◆ Sliding Gate fabricated by us as per our design or your design will be elegant and fabricated in most expert workmanship with proper alignment and can be operated smoothly by one hand.
- ◆ Deliberate and Fabricated with finer quality of M.S. Hollow Sections, consist with M.S. Sheet made up with standard assembly process.
- ◆ Automation System is extremely compact and fitted with a complete range of equipment in new gate as well as in existing sliding gate.
- ◆ The sliding opening is obtained in a few seconds, even in the case of heavy weight, thanks to these sophisticated automated mechanisms and with an eye to aesthetics since they are totally integrated in the gate. Top quality design of individual component tested separately makes the Automation System with totally safety & reliability.
- ◆ Automatic Sliding Gate can be operated manually in case of power failure.
- ◆ Automation System is available for Residential, Commercial and Industrial use, starting from 600 Kg up to 4000 kg.



# FLAP BARRIER



## Features

- Uses flaps or arms to restrict access to a secured area.
- Can be integrated with various identification methods.
- Prevents multiple people from entering with a single authorization.
- Backed by an automatic reset function.
- Made of sturdy materials that can withstand heavy usage.
- Supports infrared alarm for illegal intrusion.



## Benefits

- Provides fast and secure access control for high-traffic areas.
- Restricts entry to unauthorized individuals and enhances safety.
- Can be designed to fit specific needs and easy to integrate.
- Requires less personnel to monitor and regulate access control.
- Easy to maintain and operate, reducing downtime. Sleek and modern appearance enhances the look of the area.

## Automation System for Rolling Shutter :

### ◆ Tiwan **AUTOGLIDE** Side Motor :



### ◆ Italian Side Motor :



### SIDE MOTOR :

### ◆ **JIELONG** Rolling Shutter Motor :



#### Features :

- ◆ Simple pleasing design of structure with strong power. Good drive/size ratio.
- ◆ Selected elements ensure safe working and reliability.
- ◆ Low Noise Levels / Small Oscillation. Lightweight and simple installation.
- ◆ Simple manual operation in case of power cut. Safety device in national patent of Chain-break. Models are available from 300 kg to 2000 kg.

Model	Input Power (W)	Set load output Torque (N.m)	Set load lifting force (kg.f)	Set load output turn speed (r/min)	Max Lifting Height (m)		Max external diameter of door (m)	Chain Number	Weight of Motor (kg)
					Slats thickness (mm)				
					12	20			
230V					50Hz				
225-1P	320	225	400	4.2	6	6	0.41	08B	7.9
412-1P	710	412	600	4.8	6	6	0.38	10A	12.2
647-1P	920	647	800	4.0	7	6.7	0.42	10A	14.2
809-1P	1013	809	1000	3.5	7	8	0.47	10A	14.2
1617-1P	1768	1617	1500	3.3	12	7.9	0.48	12A	28
380V					50Hz				
809-3P	780	809	1000	3.5	7	8	0.47	10A	14.2
1617-3P	1250	1617	1500	5.2	12	7.9	0.48	16A	23.5
2450-3P	1350	2450	2000	3.6	12	12	0.65	16A	27.5

◆ **KALOS Model: For 600 - 800 Kg Sliding Gate Weight :**



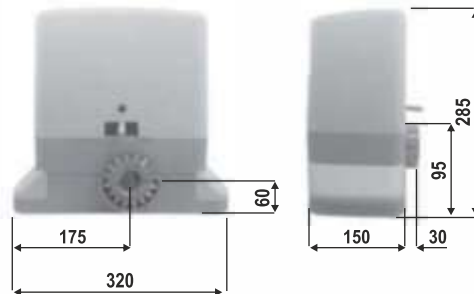
**General Features :**

Electromechanical irreversible gear motor KALOS XL, long-lasting and quiet operation with high quality mechanics.

- ◆ KALOS XL gear motor is ideal for the automation of gates for semi-intensive use.
- ◆ ABS covers with anti-UV additive.
- ◆ Personalized key unlock device: comfortable, user-friendly and safe.
- ◆ Reliable: built with high quality materials and all with all metal gears.
- ◆ Steel pinion
- ◆ Massive die-cast aluminum base.
- ◆ Optional: Magnetic limit switch.

Pre-wired integrated electronic control units BIOS.

**Technical Features :**



Technical features		KALOS XL	KALOS XL INVERTER 800	KALOS XL INVERTER 1500
		Power Supply	(V)	230 Vac / 50Hz
Motor power supply	(V)	230 Vac / 50Hz	three-phase / 230V Δ	three-phase / 230V Δ
Motor absorption	(A)	2	3	3
Motor power	(W)	350	500	500
Maximum gate weight	(Kg)	1200	800	1500
Capacitor	(μF)	12.5	-	-
Speed	(m/min)	10	10 (50Hz) / 20 (100Hz)	10 (50Hz) / 20 (100Hz)
Maximum thrust	(N)	800	1000	1500
Service	(%)	30	75	75
Recommended daily revolutions	(n°)	200	300	300
Guaranteed consecutive cycles T=20°C; Stroke: 4,5m	(n°)	10	10	10
Protection class	(IP)	44	44	44
Integrated control unit		BIOS1	INVERTER COMPACT	INVERTER COMPACT

## ◆ Remote Control Sliding Gate Opener



### General Features :

- ◆ AC motor with built-in control unit.
- ◆ Soft start and slow stop.
- ◆ User can select auto-close function.
- ◆ Emergency release provides manual operation in case of power failure.
- ◆ Safety further assured with optional accessories photocells and flashing light.
- ◆ Mechanical limit switch.

## CASA-M SERIES

Model	Casa-080M/Casa-120M/Casa-170M	Casa-200MH
Working voltage	AC single phase 120V/220V ~ 240V 50/60HZ	
Motor Power	370W /450W /750W /900W /1200W	550W /750W /900W /1200W
Starting current	5 A	3 A
Torque	18Nm /22Nm /50Nm /60Nm /75Nm	35Nm /40Nm /50Nm /65Nm
Running Speed	12 m / min	12 m / min
Gate Weight	500 ~ 2500 kg	1200 ~ 3000 kg
Working Temperature	-50℃ ~ +65℃	-50℃ ~ +55℃
Noise	≤ 56 db	≤ 56 db
Certification	CCC / CE	CCC / CE



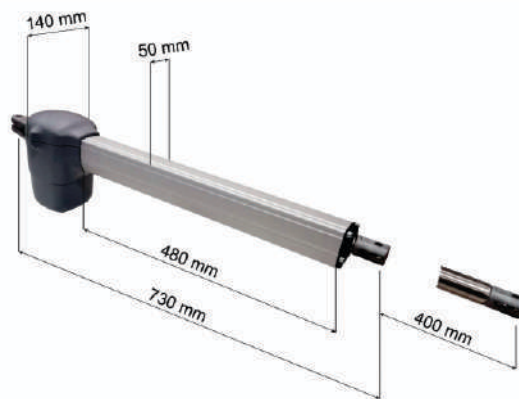
## ◆ Automation System for Swing Gates :



### General Features :

- ◆ ELEGANCE AND FUNCTIONALITY IN MOTION  
The all metal gears and the linearity of its form make this gear motor the best combination of aesthetic and technology.
- ◆ Cutting-edge mechanical technology, resistant and high-performing, combined with integrated electronics compatible with BIOS series control units (BIOS2, BIOS2 24 and BIOS2 ECO) and with an unprecedented number of functionalities.
- ◆ Available in different versions, depending on requirements, also for 24Vdc intensive use.
- ◆ BIOS, HIGH TECHNOLOGY AND EFFICIENCY AT YOUR SERVICE
- ◆ The advanced BIOS electronics, compatible with the KINEO 400 range, provides further value to the automation, making it even smarter. More useful because it makes life easier. More versatile because it helps you in increasingly personalized ways and it is even more powerful and complete.

### Technical Features :



Technical features		KINEO 400	KINEO 400 / 24V
Power supply	(V)	230 Vac – 50Hz (120Vac – 60Hz)	230 Vac – 50Hz
Motor power supply	(V)	230 Vac – 50Hz	24Vdc
Motor absorption	(A)	1.0	3.0
Motor power	(W)	200	50
Maximum wing weight	(Kg)	250	200
Capacitor	( $\mu$ F)	10	-
Maximum wing	(m)	3	2.5
Maximum stem stroke	(mm)	400	400
Maximum thrust	(N)	2900	2000
Service	(%)	50	70
Recommended daily revolutions	(n°)	100	100
Protection degree	(IP)	55	55
Control unit		BIOS 2	AS24

## ◆ Automation System for Swing Gates :



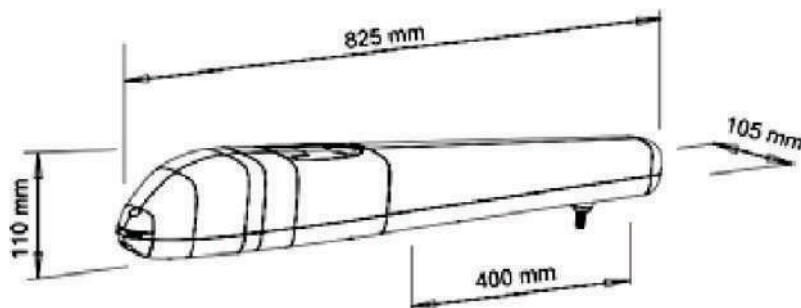
### General Features :

QUALITY, ROBUSTNESS AND TECHNOLOGY WITHOUT COMPROMISE

Solid and refined mechanical technology, the structure made of two tough aluminum shells makes it extremely resistant. Internal moving components entirely made of steel, metal and bronze. Acceleration and deceleration can be adjusted at the beginning and at the end of every movement.

Simplified installation thanks to the technology of BIOS electronics (230Vac and 24Vdc versions). Automatic programming of working time and total control of safety devices. Endless screw at 5 principles.

### Technical Features :



Technical features		XTILUS	XTILUS / 24Vdc
Power supply	(V)	230 Vac – 50Hz (120Vac – 60Hz)	230 Vac – 50Hz
Motor power supply	(V)	230 Vac – 50Hz	24Vdc
Motor	(A)	1	2.5
Motor power	(W)	200	60
Maximum wing weight	(Kg)	400	350
Capacitor	( $\mu$ F)	12.5	-
Maximum wing width	(m)	3.5	3.5
Maximum stem stroke	(mm)	400	400
Maximum thrust	(N)	1600	1600
Service	(%)	50	80
Recommended daily revolutions	(n°)	150	200
Protection degree	(IP)	44	44
Control unit		BIOS 2	BIOS2 24V



◆ For 4.5 Meter wide Swing Gate with 250 Kg capacity.

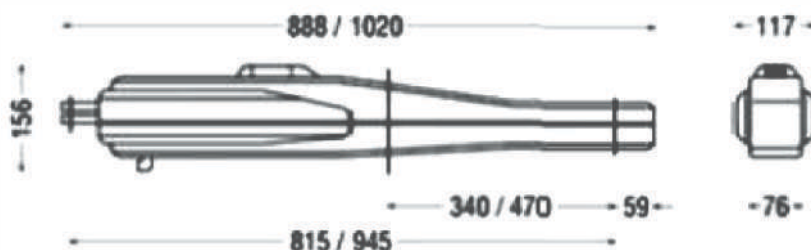


**General Features :**

- ◆ Electromechanical gear motor PLUS L for wing gates.
- ◆ Refined mechanics: thanks to a large 3 – thread endless screw, double helical impact-proof gear, Lubricated using special synthetic grease.
- ◆ Warranty of silence, strength and reliability.
- ◆ Total die cast aluminum structure.
- ◆ Personalized key unlocking device protected by an elegant and practical cover.
- ◆ Easy installation and maintenance by a rapid and waterproof connector.
- ◆ Easy and fast adjustment of limit switch.

For gate with length larger than 2m we recommend the use of an electrical lock.

**Technical Features :**



Technical features		PLUS L
Power supply	(V)	230 Vac – 50Hz / (120Vac – 60Hz)
Motor power supply	(V)	230 Vac – 50Hz
Motor absorption	(A)	1.2
Motor power	(W)	290
Maximum wing weight	(Kg)	500
Capacitor	(µF)	10
Maximum wing	(m)	4.5
Maximum stem stroke	(mm)	470*
Maximum thrust	(N)	1800
Service	(%)	60
Recommended daily revolutions	(n°)	150
Protection degree	(IP)	44
Control unit		BIOS 2

\* The use of limit switches in the closing phase reduces the maximum stroke of 3 cm.



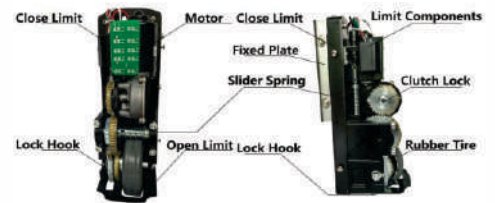
## SWING GATE OPENER (Taiwan MAKE) :



### General Features :

- ◆ DC-24V Motors - 2 nos
- ◆ Control system - 1 nos
- ◆ Emergency release key & mounting Accessories
- ◆ Remote control - 2 pcs
- ◆ User Manual

## SWING GATE OPENER (CHINESE MAKE) :



### Automatic Swing Gates (Chinese Operator) :

- ◆ The intelligent life goes wall gate door machine type.
- ◆ The design of an automatic locking mechanism, driving, locked freely, host installed in the door hinge side away from the action, energy saving, reliable and high efficiency.
- ◆ The configuration of intelligent controller (AC & DC) to realize Remote Control, Automatic Detection Alarm and Intelligent operation.
- ◆ Has complete function, large starting torque, compact structure, convenient installation and other excellent characteristic.
- ◆ The 0 ~ 180 Degree – wide angle to open the door.
- ◆ The power failure, can easily from the electric switch state to the manual state through the special key switch.
- ◆ And the time sequence to open, close adjustable, single, double gate selection.
- ◆ The resistance automatically stops and return (closed).
- ◆ The infrared, UPS interface.
- ◆ The running time protection (adjustable)

### Technical Features :

Working Voltage:	AC 220 V or DC 24 V.
Output Torque Nm:	600Nm.
Remote distance:	50 Meter.
Flat Surface lift and fall:	0-250 mm.
Running Speed:	15 Meter / Minute.
Environment temperature:	-50° C ~ 50° C.
Motor Power:	35 W x 2.



## ACCESSORIES :

**Key Switch**



**Remote Control**



**Pair of Photocell**



**Flashing Lamp**



**Wired Push Button**



**Wireless Push Button**



**Touch-less SensorGates:**



**Touch-less Sensor**



Key Switch is the basic accessory for operating Automatic Sliding / Swing Gate & Boom Barrier.

Remote Control and Photocell are the optional accessories which can be provided in the Automatic Sliding / Swing Gate, Boom Barrier etc. Photocell is for safety purpose, it detects the human or any object whenever gate or barrier is in motion and get reversed to avoid any kind of mishap.

Flashing Lamp blinks whenever gates or barrier is in motion. It acts as Indicator during night.

Wired Push Button, Wireless Push Button and Touch less Sensor are the accessories for Automatic Sliding Door. It gives only open command to Door and closing is automatic.



# TRADING PRODUCTS :

## AUTOGLIDE™ & JIEIONG Rolling Shutter Motor:



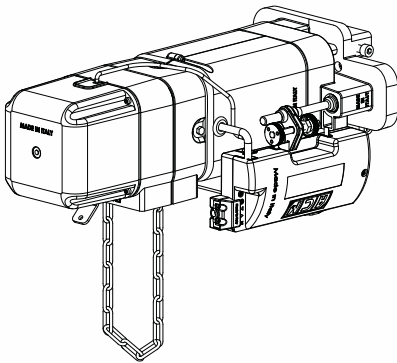
### Features :

- ◆ Simple pleasing design of structure with strong power.
- ◆ Good drive/size ratio.
- ◆ Selected elements ensure safe working and reliability.
- ◆ Low Noise Levels / Small Oscillation. Light weight and simple installation.
- ◆ Simple manual operation in case of power cut. Safety device in national patent of Chain-break. Models are available from 300 kg to 2000 kg.

Model	Input Power (W)	Set load output Torque (N.m)	Set load lifting force (kg.f)	Set load output turn speed (r/min)	Max Lifting Height (m)		Max external diameter of door (m)	Chain Number	Weight of Motor (kg)
					Slats thickness (mm)				
					12	20			
230V					50Hz				
225-1P	320	225	400	4.2	6	6	0.41	08B	7.9
412-1P	710	412	600	4.8	6	6	0.38	10A	12.2
647-1P	920	647	800	4.0	7	6.7	0.42	10A	14.2
809-1P	1013	809	1000	3.5	7	8	0.47	10A	14.2
1617-1P	1768	1617	1500	3.3	12	7.9	0.48	12A	28
380V					50Hz				
809-3P	780	809	1000	3.5	7	8	0.47	10A	14.2
1617-3P	1250	1617	1500	5.2	12	7.9	0.48	16A	23.5
2450-3P	1350	2450	2000	3.6	12	12	0.65	16A	27.5



## Italian Side Motor for Rolling Shutter :



MODEL	TITANSIDE 600 (RATIO 1:6)	TITANSIDE 600 (RATIO 1:3)
POWER	600 W	600 W
LIFTING (Ø133)	600 kg	300 kg
TORQUE	412 Nm	206 Nm
MAX. TRAVEL	6 m	6 m
SPEED	4.6 rpm	9.3 rpm
IP	44	44
WORKING TIME	5 min	5 min

230V/50Hz





## Italian Central Motor for Rolling Shutters :



Single Motor



Twin Motor

This series can be defined as a phenomenon of adaptability to all roller shutters balanced with compensation springs, thanks to continues improvement of the functional characteristics of the motors and their innovative design. There are two versions of the motor ES 76 EVOLUTION: the single-head and the double-head model.






### Technical characteristics

Model	Ø rolling shutter tube mm	Ø winding flange mm	Power W	Amperage A	% Services	Voltage V	Frequency Hz	Insulation Class	Capacitor in mF	R.P.M.	Torque Nm	Lifting capacity Kg
UNIKO - 1M EVOLUTION	42° - 48° 60	200	450	2	90	230	50	F	16	9	142	145
		220**										132
UNIKO - 2M EVOLUTION	42° - 48° 60	200	700	3	110	230	50	F	20	9	196	200
		220**										183

\* with tube adaptor \*\* with flange adaptor



The polycarbonate rolling shutter consists of polycarbonate strips / slats, horizontal stainless steel tubes, M.S. Guide and Bottom. On request we can provide Aluminum Guide and G.I. Pipe Bottom.

	<p><b>Stainless Steel Middle Pipe</b></p> <p>Material : stainless steel          Diameter(mm) : 15.5          Thickness(mm) : 0.6          Weight : 0.2-0.6kg/m          Surface : finished          Color : natural          Max length : 6 meter</p>
	<p><b>Plastic End Cap</b></p> <p>Material : Plastic          Diameter(mm) : 15.0          Pressing needed : Yes          Style : Insert inside the steel tube          Color : black          Length : 28.5 mm</p>
	<p><b>Bottom Link</b></p> <p>Material : Polycarbonate          Diameter(mm) : 20.5          Thickness(mm) : 2mm          Weight : N.A.          Surface : finished          Color : white          Length : 37.5 mm</p>
	<p><b>M.S. or Aluminum Guide</b></p> <p>Material : M.S. or Aluminum          Width : 100 mm          Thickness(mm) :          Weight : 2-3kg/m          Surface : finished          Color : natural          Max length : As per requirement</p>
	<p><b>M.S. or G.I. Bottom</b></p> <p>Material : M.S. or G.I.          Size : 96 mm x 24 mm x 2.0 mm          Thickness(mm) : 2.0 mm          Weight : 1-3kg/m          Surface : finished          Color : natural          Max length : As per requirement.</p>

**Single Piece Polycarbonate Shutter Strip :**



Product & Dimension is for demonstration purpose only, actual product & dimension may differ by + 2.0 mm.



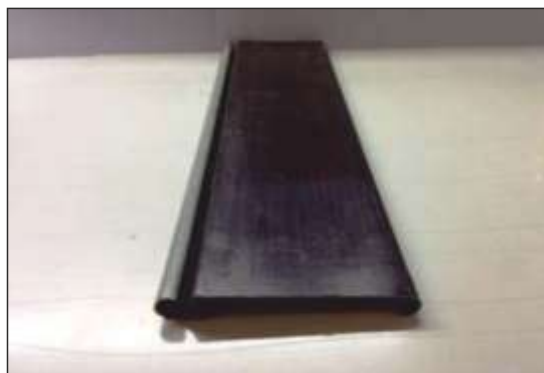


## ACCESSORIES :

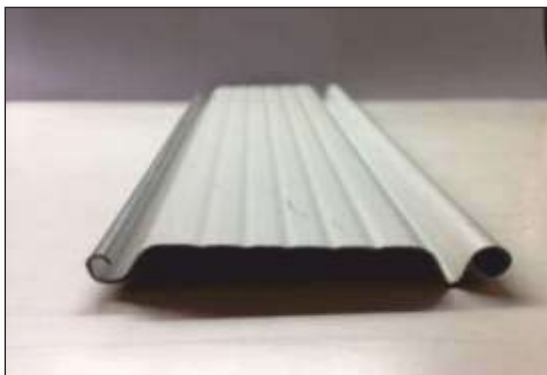
Normal G.I. Plain & Perforated Strip



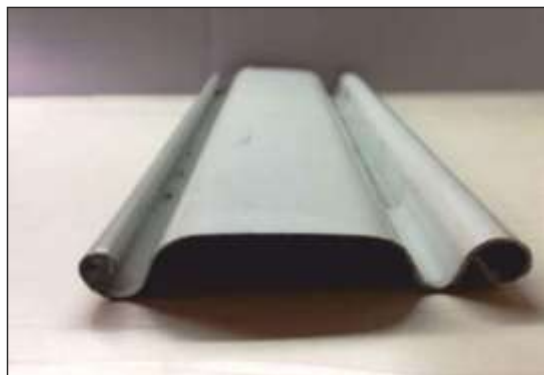
G.I. Strip with Wood Finishing



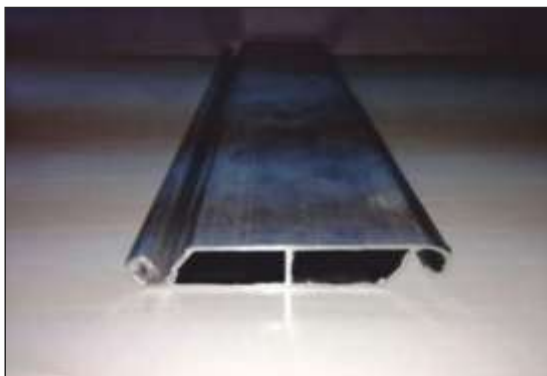
G.I. Colour Coated Sumo Strip



G.I. Colour Coated Jumbo Strip



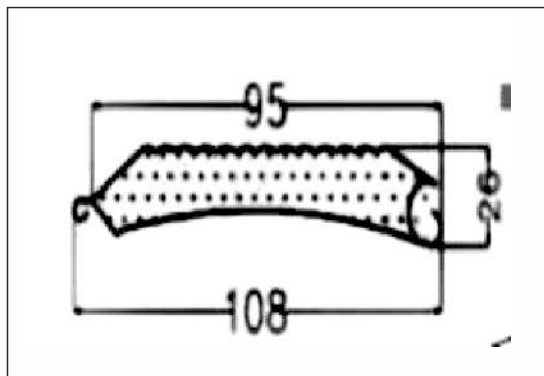
Aluminum Double Wall Strip



PUF Insulated Strip



PUF Insulated Strip with Dimension Details



## Rolling Shutter Bottom Sealing :



**IMPORTED Bottom Gasket / Seal**



**INDIAN Bottom Gasket / Seal**

**Rolling Shutter Bottom seal is considered to fill the gap between Shutter and floor.**

- ◆ It helps in providing dust free environment inside store, premises and warehouse etc.
- ◆ It helps to maintain temperature inside the premises up to certain level.
- ◆ It restricts insect, pest etc., to enter inside premises.
- ◆ It also helps in reducing outside noise level.
- ◆ Bottom Seal is manufactured from extruded EPDM Rubber with clip arrangement for fixing it on the Rolling Shutter bottom.
- ◆ It is strong, long lasting and easy to fix.

## Rolling Shutter Box Guide and Seal:



### Rolling Shutter Guide Gasket / Seal

**Rolling Shutter Guide seal is providing to seal between shutter curtain and guide.**

- ◆ It helps in providing dust free environment inside store, premises, warehouse etc.
- ◆ It helps to maintain temperature inside the premises up to certain level.
- ◆ It restricts insect, pest etc., to enter inside premises.
- ◆ It also helps in minimizing outside noise level.
- ◆ Guide Seal is manufactured from extruded EPDM Rubber with clip arrangement for fixing it on the Rolling Shutter Guide.
- ◆ It is strong, long lasting and easy to fix.

## Security Lock for Rolling Shutters:



Wireless Alarm System Door Nameplate Embedded Hook Box

Offering a range of secure locking system on motorized / automatic rolling shutter, MEET Engineering & Fabricators is the supplier of rolling shutter locking system in India. Knowing the difficult experiences of end-users and sellers, we take the lead in supplying "Secure Locking System" with easy-to-use, easy-to-install, stronger defense and automatic locking features.

JA Locks is used in electric rolling Shutter which is applied to security standard of bank, Jewelry Shops, Electronics Shops etc., where security is most priority. It starts loud horning if anybody try to open it forcefully. Closing is automatically at the Floor and opening is done by special grooved keys.

### Condition of the Rolling Shutter after robbery :



JA Locks is the only option to avoid such kind of robbery, because robber are not breaking shutters from the curtain, they are damaging shutters from bottom section and make space, so that person easily enter into premises by weltering on the floor, as shown in the above picture.

Hence JA Locks is the only option to avoid theft in any kind premises and to have peace of mind for valuable which are there inside the premises.



## NEW PROJECTS



**Britania Ranjangaon Plant**



**TATA MOTORS , PUNE**





## Our Prestigious Client:



**MEET**  
ENGINEERING  
& FABRICATORS

Office Address : Plot No. 14, 15 Gat No. 70, Sonwane Vasti, Jyotibanagar, Talawade, Pune.

Office Contact : 7775022177

E-mail : [sales@meetauto.in](mailto:sales@meetauto.in)

Website : [www.meetauto.in](http://www.meetauto.in)

